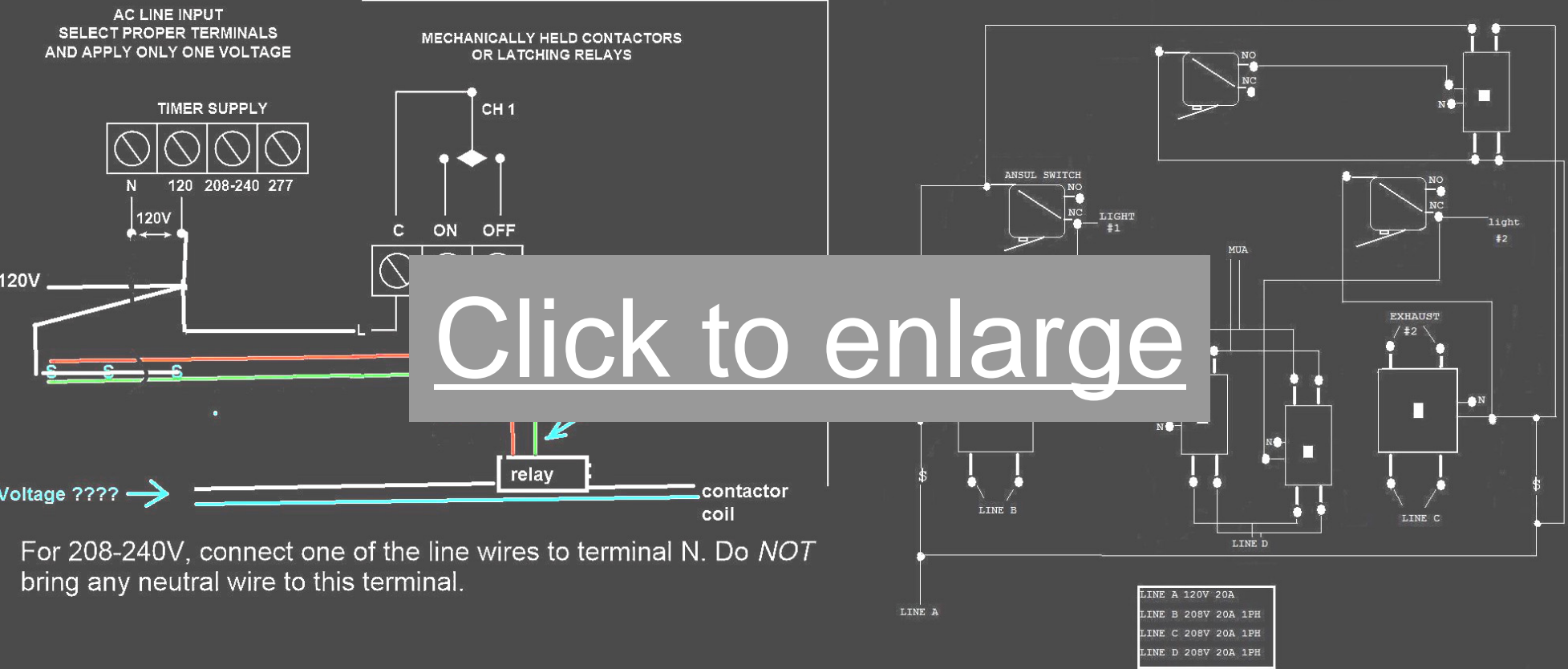


Electrical Wiring Diagram For Photoelectric And Dc Shunt Wiring Diagram By XPMissions

Electrical wiring diagram for photoelectric and dc shunt wiring diagram



Voltage ???? →

For 208-240V, connect one of the line wires to terminal N. Do NOT bring any neutral wire to this terminal.

xpmissions.com