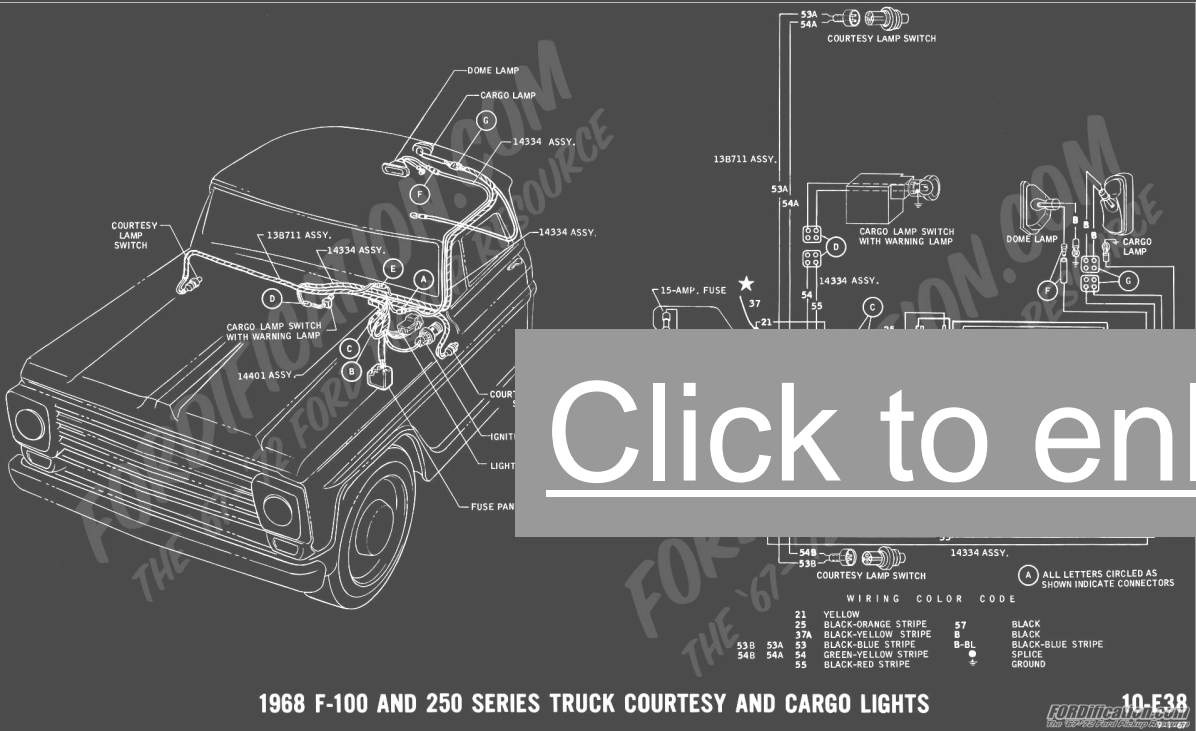


S Wiper Wiring Diagram And Honda Dio Wiring Diagram By XPMissions

S wiper wiring diagram and honda dio wiring diagram



1992-1998 Honda Dio 50 SK50 Service Repair Manual DOWNLOAD (92 93 94 95 96 97 98)

[Download Now](#)

Service Repair Manual

Best 1992-1998 Honda Dio 50 SK50

1992 1993 1994 1995 1996 1997 1998 Honda Dio 50 SK50 Service Repair Manual DOWNLOAD (92 93 94 95 96 97 98)

Click to enlarge

Repair Manual for the 1992-1998 Honda Dio 50 SK50 ever
LOAD contains of high quality diagrams and instructions on how to
Honda Dio 50 SK50 from the front bumper to the rear. This is a
will not be dissatisfied.

- Fuel System
- Engine Removal / Installation
- Cylinder Head / Cylinder / Piston
- Kickstarter / Drive Pulley / Clutch / Driven Pulley
- Final Reduction
- Crankcase / Crankshaft
- Steering / Front Wheel / Brake / Suspension
- Rear Wheel / Brake / Suspension
- Charging System / Alternator
- Ignition System
- Electric Starter
- Lights / Meters / Switches
- Wiring Diagram
- Troubleshooting
- Index

Service repair manual are INSTANT DOWNLOAD saving you money on postage and packaging. All pages are printable.